

DLV-R 4 Inch Downlight



Product Overview

Dimensions:

Trim ring diameter: 116mm
 Height: 116mm
 Cut-out: 108mm
 Total weight : 0.42Kg (Excluding LED Driver)

Ingress Protection:

IP rating: 20

High quality LED:

Zhaga Compliant module for after life maintenance
 CRI ≥ 80 as a standard
 3000K, 3500K and 4000K as a standard
 Colour consistency with a low Mac Adams step of SDCM ≤ 3
 Alternative CCT and CRI available on request

Remote LED driver:

Plug and play with male and female connectors
 220 – 240V input (50/60 Hz)
 Ripple and flicker free (≤ 3 %)
 Power factor ≥ 0.90
 Surge protection: 3.75 KVA
 DALI or trailing edge available on request

Aluminium Reflector:

60° as a standard
 36°, and 45° available on request

Heatsink Material:

Die cast aluminium heatsink for increased heat dissipating properties to increase life of LED component
 L&B rating up to L90B10 ≥ 100 000hrs

Trim Ring:

Die cast aluminium
 White and black as a standard
 Other colours available on request

Emergency Kit:

1hr as a standard (Ta ≤ 25°C)
 3hr available on request

Standard Warranty of luminaire is 5 years subjected to T's and C's

Application:

Providing a variety of lumen outputs and reflector options tailored for diverse recessed lighting needs (Ta ≤ 35°C), spanning from ambient to accent lighting solutions.

Ideal indoor applications include entrances, corridors, hallways, reception areas, retail establishments, hospitality venues, high-end residential properties, and beyond.



Commercial



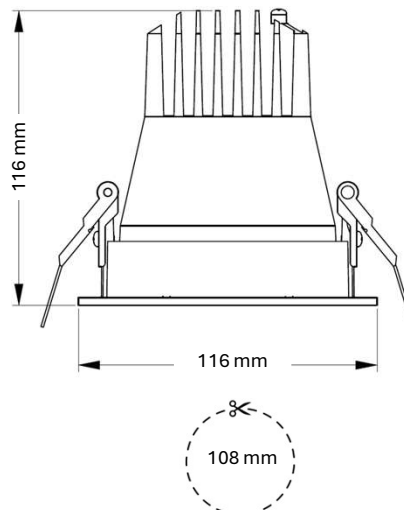
Public Facilities



Hospitality



Retail



DLV-R 4 Inch Downlight

CCT (K)	Drive current (mA)	Voltage (V)	Nominal Wattage (W)	Nominal Lumens (lm)	System Wattage (W)	System Lumens (lm)
3000	350	32.1	12.0	1 942	12.4	1 553
3000	500	32.6	17.0	2 730	18.0	2 184
3000	700	33.4	24.0	3 746	25.7	2 996
3000	850	33.9	29.0	4 486	31.7	3 589
3500	350	32.1	12.0	1 988	12.4	1 590
3500	500	32.6	17.0	2 794	18.0	2 235
3500	700	33.4	24.0	3 834	25.7	3 067
3500	850	33.9	29.0	4 591	31.7	3 672
4000	350	32.1	12.0	2 000	12.4	1 600
4000	500	32.6	17.0	2 810	18.0	2 248
4000	700	33.4	24.0	3 856	25.7	3 085
4000	850	33.9	29.0	4 617	31.7	3 693

Code Sequence

Model	Colour	Beam	LED	CRI	CCT	Nominal Power	Additional
DLV-R 4 Inch - 1301	White - 1	36° - 36	BR - BR	≥ 80 - 8	3000K - 30	12W - /12/350	DALI - /DA
	Black - 2	45° - 45		≥ 90 - 9	3500K - 35	17W - /17/500	Trailing Dim - /DT
	Other - 0	60° - 60		Other - 0	4000K - 40	24W - /24/700	
					5000K - 50	28W - /28/850	
					Bakery - BG		
					Meat - MT		
				Fruit/Veg - FV			
				Other - 00			

Model Example:

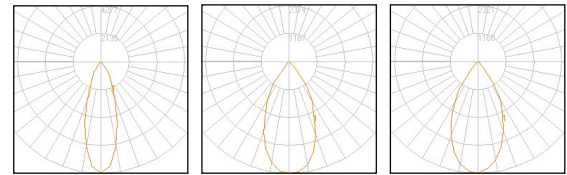
DLV-R 4 Inch White 60° BR ≥80 4000K 17W

Code Sequence

1301 1 60 BR 8 40 /17/500

Use code Sequence for placements of orders

For **Other** options, please consult **Design Ignito B.V.**



36°

45°

60°

Standard

DLV-R 4 Inch Downlight packaging

Packaging	Dimensions (cm)	Net weight (Kg)	Gross Weight (Kg)	Units
Box Size	14.0 x 14.0 x 13.5	0.42	0.50	1
Carton Size	43.5 x 43.5 x 30.0		9.92	18

Confirm with **Design Ignito B.V.** accurate weights and dimensions based on component availability and dimension changes

5-year warranty

Tolerance range of optical and electrical data is ± 10%.

Optical and electrical data may increase or decrease with a change of specifications and availability of components.

Please note: Data may be rounded up/down for illustrative purposes. We reserve the right to amend or change details without prior notification. E&OE

V2026.01.01.