

DLV-R 3 Inch Downlight



Product Overview

Dimensions:

Trim ring diameter: 92mm
 Height: 76mm
 Cut-out: 82mm
 Total weight : 0.22Kg (Excluding LED Driver)

Ingress Protection:

IP rating: 20

High quality LED:

CRI ≥ 80 as a standard
 3000K, 3500K and 4000K as a standard
 Colour consistency with a low Mac Adams step of SDCM ≤ 3
 Alternative CCT and CRI available on request

Remote LED driver:

Plug and play with male and female connectors
 220 – 240V input (50/60 Hz)
 Ripple and flicker free (≤ 3 %)
 Power factor ≥ 0.90
 Surge protection: 3.75 KVA
 DALI or trailing edge available on request

Aluminium Reflector:

60° as a standard
 36° and 45° available on request

Heatsink Material:

Die cast aluminium heatsink for increased heat dissipating properties to increase life of LED component
 L&B rating up to L90B10 ≥ 100 000hrs

Trim Ring:

Die cast aluminium
 White and black as a standard
 Other colours available on request

Emergency Kit:

1hr as a standard (Ta ≤ 25°C)
 3hr available on request

Standard Warranty of luminaire is 5 years subjected to T's and C's

Application:

Providing a selection of lumen outputs and reflector choices tailored for diverse recessed lighting needs (suitable for operating temperatures up to 35°C), spanning from ambient to accent lighting applications.

Applications include entrances, corridors, hallways, reception areas, retail spaces, hospitality venues, high-end residential properties, and beyond.



Commercial



Public Facilities



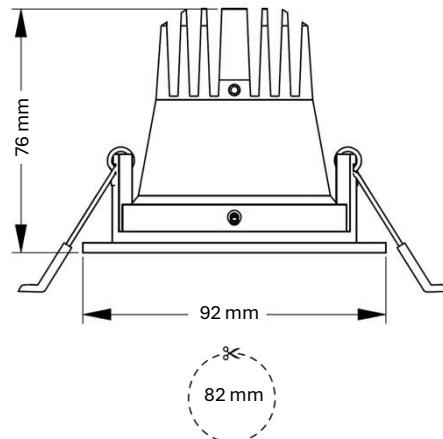
Hospitality



Retail



Residential



DLV-R 3 Inch Downlight

CCT (K)	Drive current (mA)	Voltage (V)	Nominal Wattage (W)	Nominal Lumens (lm)	System Wattage (W)	System Lumens (lm)
3000	350	25.0	9.0	1 425	9.6	1 155
3000	500	25.9	13.0	1 965	14.3	1 592
3500	350	25.0	9.0	1 456	9.6	1 180
3500	500	25.9	13.0	2 005	14.3	1 624
4000	350	25.0	9.0	1 471	9.6	1 192
4000	500	25.9	13.0	2 026	14.3	1 641

Code Sequence

Model	Colour	Beam	LED	CRI	CCT	Nominal Power	Additional
DLV-R 3 Inch - 1011	White - 1	36° - 36	BR - BR	≥ 80 - 8	3000K - 30	9W - /09/350	DALI - /DA
	Black - 2	45° - 45		≥ 90 - 9	3500K - 35	13W - /13/500	Trailing Dim - /DT
	Other - 0	60° - 60		Other - 0	4000K - 40		
					5000K - 50		
					Other - 00		

Model Example:

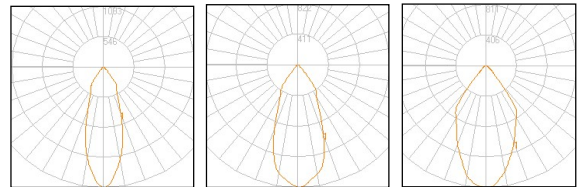
DLV-R 3 Inch White 60° BR ≥80 4000K 13W

Code Sequence

1011 1 60 BR 8 40 /13/500

Use code Sequence for placements of orders

For **Other** options, please consult **Design Ignito B.V.**



36°

45°

60°

Standard

DLV-R 3 Inch Downlight packaging

Packaging	Dimensions (cm)	Net weight (Kg)	Gross Weight (Kg)	Units
Box Size	12.5 x 12.5 x 10.5	0.22	0.260	1
Carton Size	52.0 x 39.2 x 34.0		10.34	36

Confirm with **Design Ignito B.V.** accurate weights and dimensions based on component availability and dimension changes

5-year warranty

Tolerance range of optical and electrical data is ± 10%.

Optical and electrical data may increase or decrease with a change of specifications and availability of components.

Please note: Data may be rounded up/down for illustrative purposes. We reserve the right to amend or change details without prior notification. E&OE V2026.01.01.