

## DLV-R Gimbal Round



### Product Overview

**Dimensions:**

Trim ring diameter: 170mm  
 Height: 116mm  
 Cut-out: 155 mm  
 Total weight : 0.76Kg (Excluding LED Driver)

**Ingress Protection:**

IP rating: 20

**High quality LED:**

Zhaga Compliant module for after life maintenance  
 CRI ≥ 80 as a standard  
 3000K, 3500K and 4000K as a standard  
 Colour consistency with a low Mac Adams step of SDCM ≤ 3  
 Alternative CCT and CRI available on request

**Remote LED driver:**

Plug and play with male and female connectors  
 220 – 240V input (50/60 Hz)  
 Ripple and flicker free (≤ 3 %)  
 Power factor ≥ 0.90  
 Surge protection: 3.75 KVA  
 DALI or trailing edge available on request

**Aluminium Reflector:**

36° and 60° as a standard  
 24° and 45° available on request

**Heatsink Material:**

Die cast aluminium heatsink for increased heat dissipating properties to increase life of LED component  
 L&B rating up to L90B10 ≥ 100 000hrs

**Trim Ring:**

Die cast aluminium  
 White and black as a standard  
 Other colours available on request

**Emergency Kit:**

1hr as a standard (Ta ≤ 25°C)  
 3hr available on request

Standard Warranty of luminaire is 5 years subjected to T's and C's

**Application:**

Providing a variety of lumen outputs and reflector options tailored for diverse recessed lighting needs (Ta ≤ 35°C), spanning from ambient to accent lighting solutions.

This lighting solution is well-suited for settings requiring multi-directional tilt functionality, such as entrances, shop fronts, hallways, galleries, reception areas, retail spaces, and hospitality venues.



Commercial



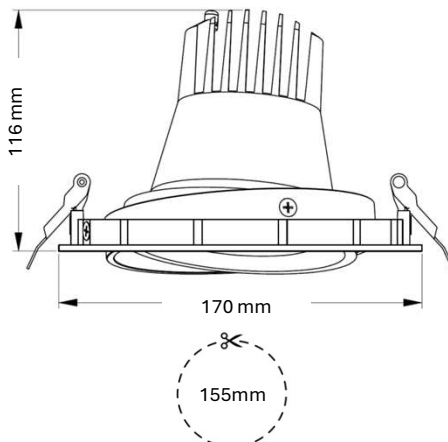
Public Facilities



Hospitality



Retail



## DLV-R Gimbal Round

CCT (K)	Drive current (mA)	Voltage (V)	Nominal Wattage (W)	Nominal Lumens (lm)	System Wattage (W)	System Lumens (lm)
3000	350	32.1	12.0	1 942	12.4	1 553
3000	500	32.6	17.0	2 730	18.0	2 184
3000	700	33.4	24.0	3 746	25.7	2 996
3000	850	33.9	29.0	4 486	31.7	3 589
3500	350	32.1	12.0	1 988	12.4	1 590
3500	500	32.6	17.0	2 794	18.0	2 235
3500	700	33.4	24.0	3 834	25.7	3 067
3500	850	33.9	29.0	4 591	31.7	3 672
4000	350	32.1	12.0	2 000	12.4	1 600
4000	500	32.6	17.0	2 810	18.0	2 248
4000	700	33.4	24.0	3 856	25.7	3 085
4000	850	33.9	29.0	4 617	31.7	3 693

## Code Sequence

Model	Colour	Beam	LED	CRI	CCT	Nominal Power	Additional
DLV-R Gimbal Round - 1701	White - 1	24° - 24	BR - BR	≥ 80 - 8	3000K - 30	12W - /12/350	DALI - /DA Trailing Dim - /DT
	Black - 2	36° - 36		≥ 90 - 9	3500K - 35	17W - /17/500	
	Other - 0	45° - 45		Other - 0	4000K - 40	24W - /24/700	
		60° - 60		5000K - 50	29W - /29/850		
		Bakery - BG		Meat - MT	Fruit/Veg - FV	Other - 00	
		Other - 00					

### Model Example:

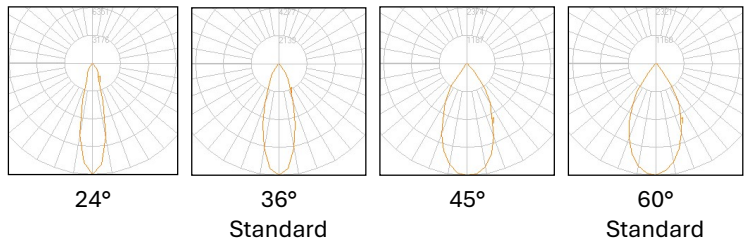
DLV-R Gimbal Round White 60° BR ≥80 4000K 12W

### Code Sequence

1701 1 60 BR 8 40 /12/350

Use code Sequence for placements of orders

For **Other** options, please consult **Design Ignito B.V.**



## DLV-R Gimbal Round packaging

Packaging	Dimensions (cm)	Net weight (Kg)	Gross Weight (Kg)	Units
Box Size	19.0 x 19.0 x 13.5	0.76	0.9	1
Carton Size	59.0 x 59.0 x 30.0		17.42	18

Confirm with **Design Ignito B.V.** accurate weights and dimensions based on component availability and dimension changes

5-year warranty

Tolerance range of optical and electrical data is ± 10%.

Optical and electrical data may increase or decrease with a change of specifications and availability of components.

Please note: Data may be rounded up/down for illustrative purposes. We reserve the right to amend or change details without prior notification. E&OE

V2026.01.01.