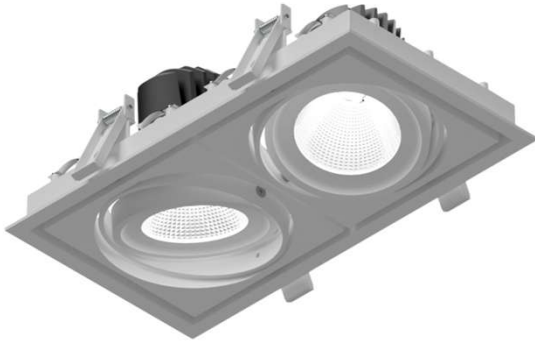


DLV-R Gimbal Double



Product Overview

Dimensions:

Frame: 170 x 295mm
 Total Height: 116mm
 Frame Cut-out: 155 x 295mm
 Total weight : 0.62Kg/ Insert (Excluding LED Driver)

Ingress Protection:

IP rating: 20

High quality LED:

Zhaga Compliant module for after life maintenance
 CRI ≥ 80 as a standard
 3000K, 3500K and 4000K as a standard
 Colour consistency with a low Mac Adams step of SDCM ≤ 3
 Alternative CCT and CRI available on request

Remote LED driver:

Plug and play with male and female connectors
 220 – 240V input (50/60 Hz)
 Ripple and flicker free (≤ 3 %)
 Power factor ≥ 0.90
 Surge protection: 3.75 KVA
 DALI or trailing edge available on request

Aluminium Reflector:

36° and 60° as a standard
 24° and 45° available on request

Heatsink Material:

Die cast aluminium heatsink for increased heat dissipating properties to increase life of LED component
 L&B rating up to L90B10 ≥ 100 000hrs

Trim Ring:

Die cast aluminium
 White and black as a standard
 Other colours available on request

Emergency Kit:

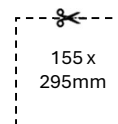
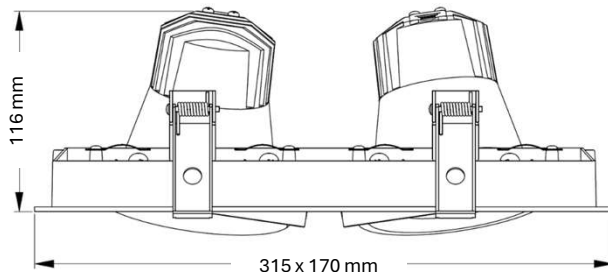
1hr as a standard (Ta ≤ 25°C)
 3hr available on request

Standard Warranty of luminaire is 5 years subjected to T's and C's

Application:

Providing a variety of lumen outputs and reflector choices suitable for diverse recessed lighting applications (Ta ≤ 35°C), catering to ambient and accent lighting needs. Available in three configurations (Single, Double, and Triple) to accommodate multi-surface or product illumination requirements.

This lighting solution is well-suited for settings requiring multi-directional tilt functionality, such as entrances, shop fronts, hallways, galleries, reception areas, retail spaces, and hospitality venues.



Commercial



Public Facilities



Hospitality



Retail

DLV-R Gimbal Insert

CCT (K)	Drive current (mA)	Voltage (V)	Nominal Wattage (W)	Nominal Lumens (lm)	System Wattage (W)	System Lumens (lm)
3000	350	32.1	12.0	1 942	12.4	1 553
3000	500	32.6	17.0	2 730	18.0	2 184
3000	700	33.4	24.0	3 746	25.7	2 996
3000	850	33.9	29.0	4 486	31.7	3 589
3500	350	32.1	12.0	1 988	12.4	1 590
3500	500	32.6	17.0	2 794	18.0	2 235
3500	700	33.4	24.0	3 834	25.7	3 067
3500	850	33.9	29.0	4 591	31.7	3 672
4000	350	32.1	12.0	2 000	12.4	1 600
4000	500	32.6	17.0	2 810	18.0	2 248
4000	700	33.4	24.0	3 856	25.7	3 085
4000	850	33.9	29.0	4 617	31.7	3 693

Code Sequence

Model	Colour	Beam	LED	CRI	CCT	Nominal Power	Additional
DLV-R Gimbal Insert - 1751	White - 1	24° - 24	BR - BR	≥ 80 - 8	3000K - 30	12W - /12/350	DALI - /DA Trailing Dim - /DT
	Black - 2	36° - 36		≥ 90 - 9	3500K - 35	17W - /17/500	
	Other - 0	45° - 45		Other - 0	4000K - 40	24W - /24/700	
		60° - 60			5000K - 50	29W - /29/850	
						Bakery - BG Meat - MT Fruit/Veg - FV Other - 00	

Model Example:

DLV-R Gimbal Insert White 60° BR ≥80 4000K 12W

Code Sequence

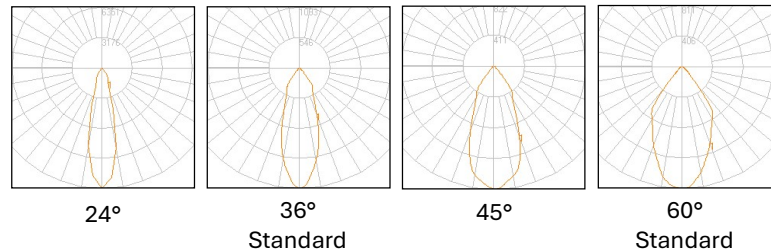
1751 1 60 BR 8 40 /12/350

Use code Sequence for placements of orders

Gimbal Frames are supplies separately using code:

White: 175/Frame/2/1 or Black: 175/ Frame/2/2

For **Other** options, please consult **Design Ignito B.V.**



DLV-R Gimbal Insert packaging

Packaging	Dimensions (cm)	Net weight (Kg)	Gross Weight (Kg)	Units
Box Size	16.5 x 16.5 x 12.5	0.62	0.72	1
Carton Size	51.0 x 51.5 x 27.0		14.14	18

DLV-R Gimbal Frame packaging

Packaging	Dimensions (cm)	Net weight (Kg)	Gross Weight (Kg)	Units
Box Size	32.5 x 221.5 x 8.0	0.46	0.58	1
Carton Size	66.0 x 34.5 x 66.0		15.18	24

Confirm with **Design Ignito B.V.** accurate weights and dimensions based on component availability and dimension changes

5-year warranty

Tolerance range of optical and electrical data is ± 10%.

Optical and electrical data may increase or decrease with a change of specifications and availability of components.

Please note: Data may be rounded up/down for illustrative purposes. We reserve the right to amend or change details without prior notification. E&OE V2026.01.01.